

GRBL Homing

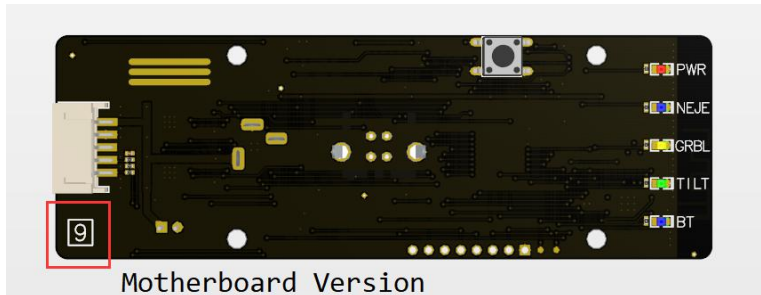
GRBL homing is a function to set laser to origin(0,0).

This PDF will explain the confusion about homing.

First, not all of the Master 2 is support homing.

Please check your Master 2 motherboard version.

The version should marked on the one of corner of motherboard just like the picture below.



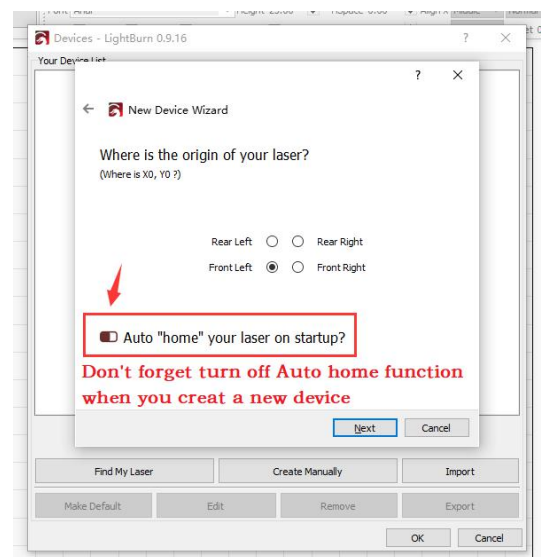
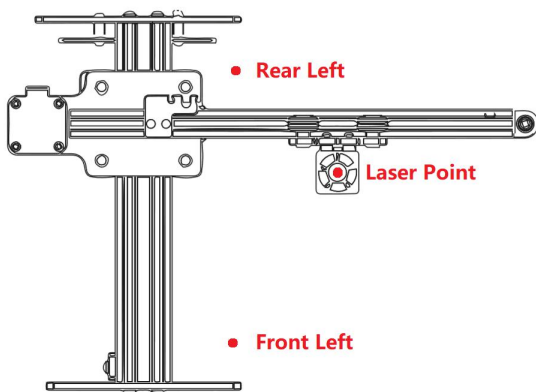
The version of motherboard is 1-10 homing is not support

The version of motherboard is 11-12 homing is support

If your device is not support homing, It's no need to be sad, manual homing is very easy and quick than auto homing.

Q: How to manual homing?

A: Move laser point to Front Left



If your device is support homing, when the homing complete the Laser point is at **Rear Left**,

It's not a mistake, because only Rear Left coner can trig homing switch,

also the coordinate of device after homing is (maxY, 0), not (0,0), for Master 2 is (170,0).

Hope this PDF will help you.